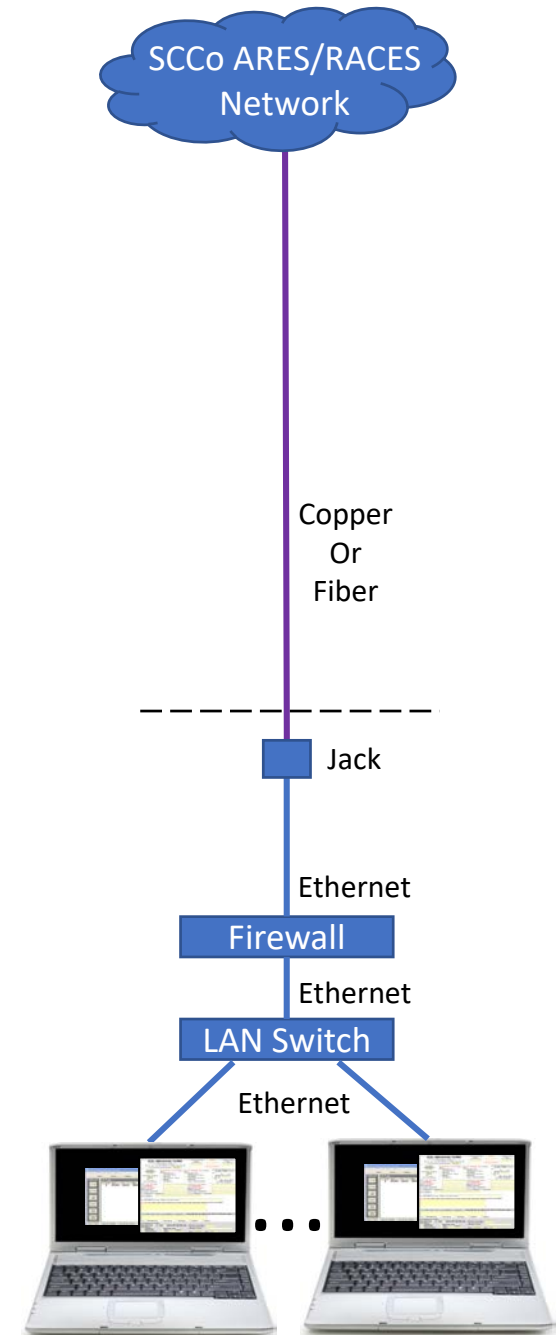


# TCP/IP over LAN

## Basic Station Configuration

- Antenna/Radio
  - None
- Cable
  - Copper or Fiber Ethernet cable, depending on location
- Firewall
  - Filter all but specifically-allowed traffic types
- LAN Switch
  - Share connection with multiple PCs, printers, ...
- PC(s)
  - Windows preferred for clients



# TCP/IP over LAN

## Ideal Station Configuration

- Antenna
  - Tri-band for voice, packet, e-mail
- Cables, firewall, LAN Switch, PC(s)
  - Same as previously described
- Usage
  - Primarily use LAN
  - 56+ Kbps TCP/IP and packet available as backup or for direct communication with field stations

